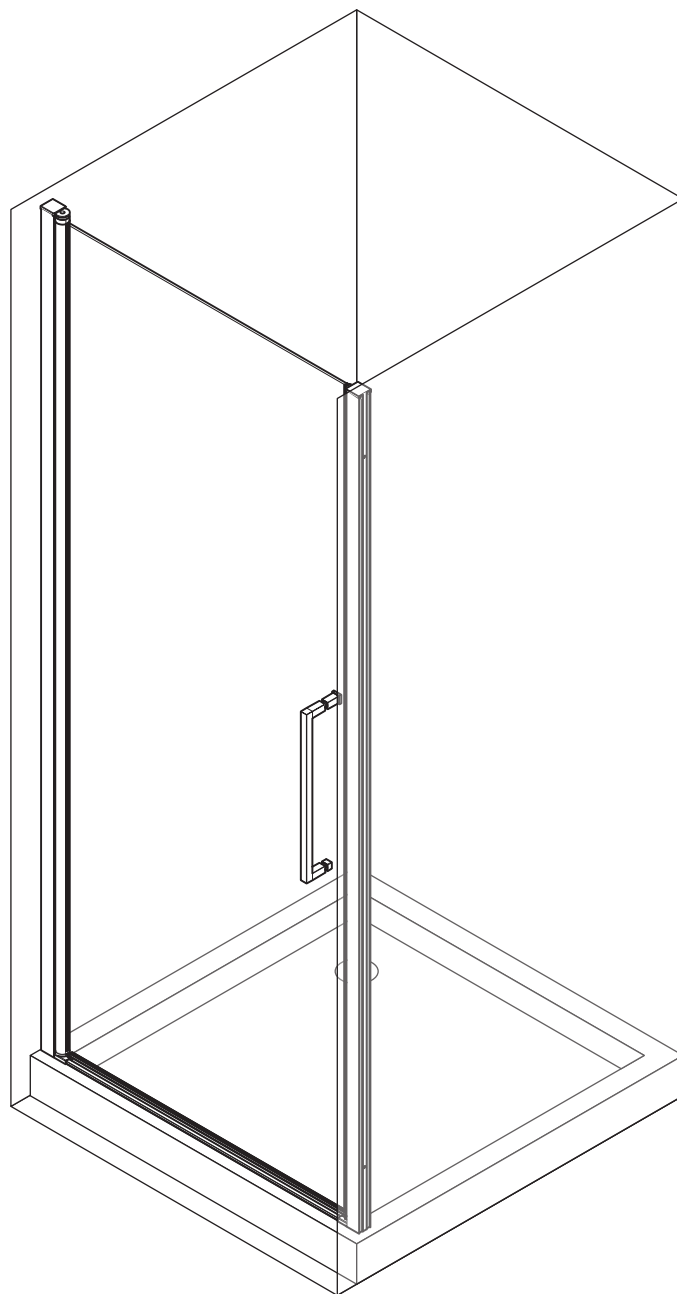
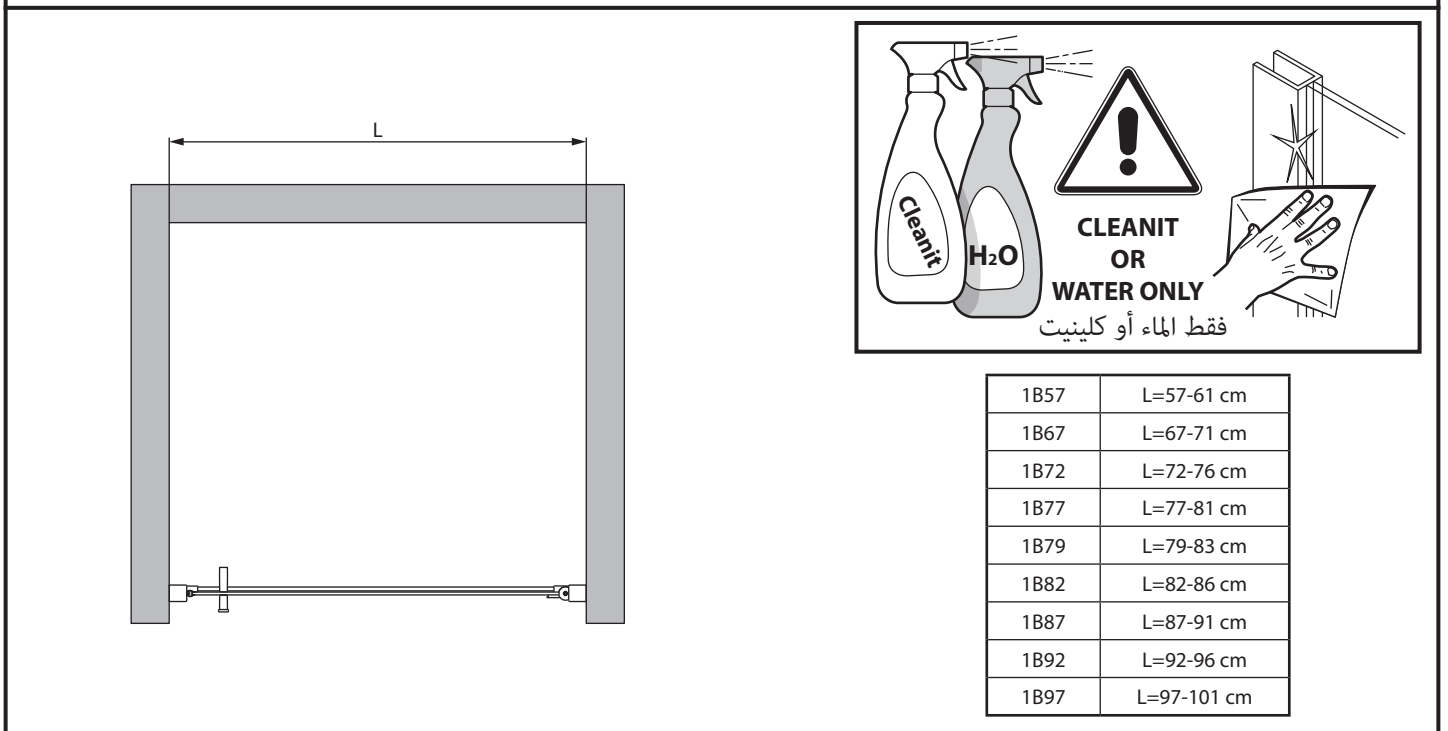
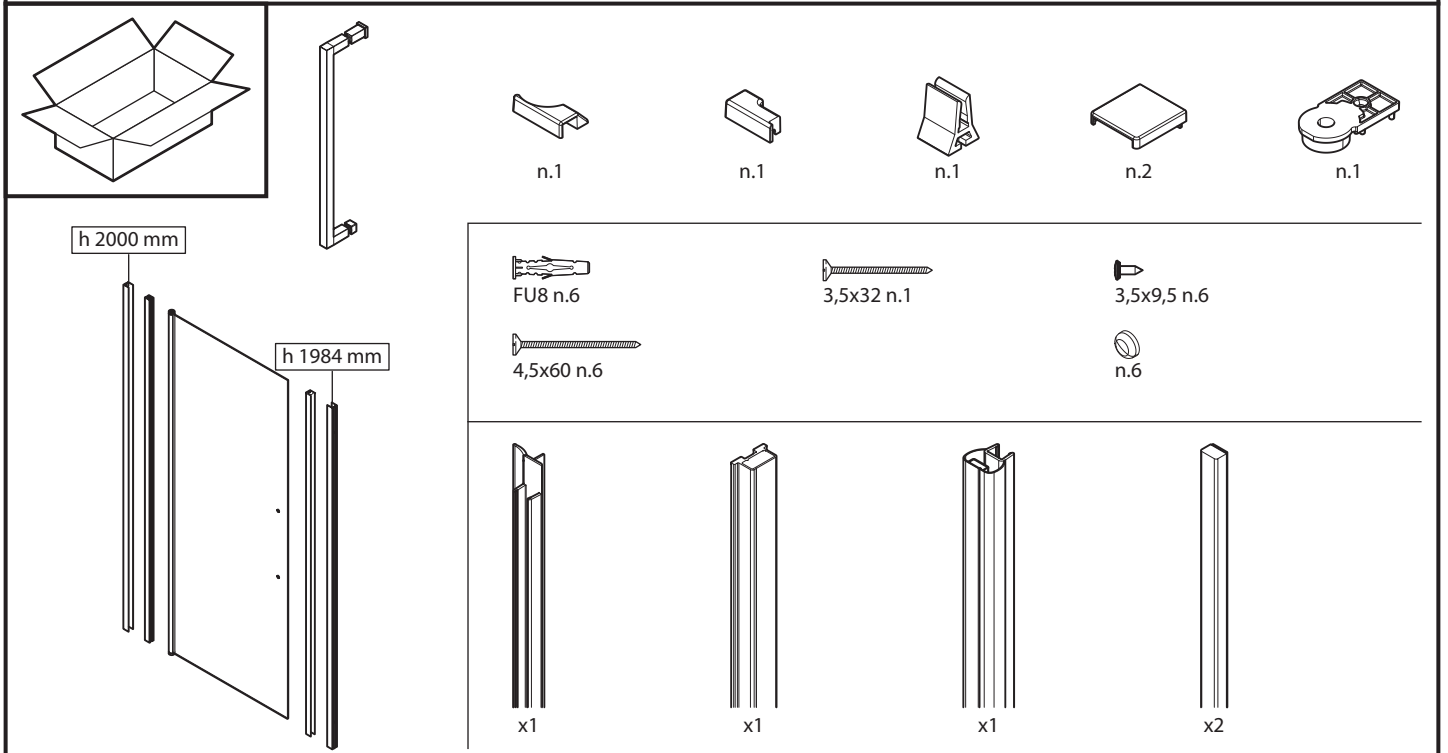
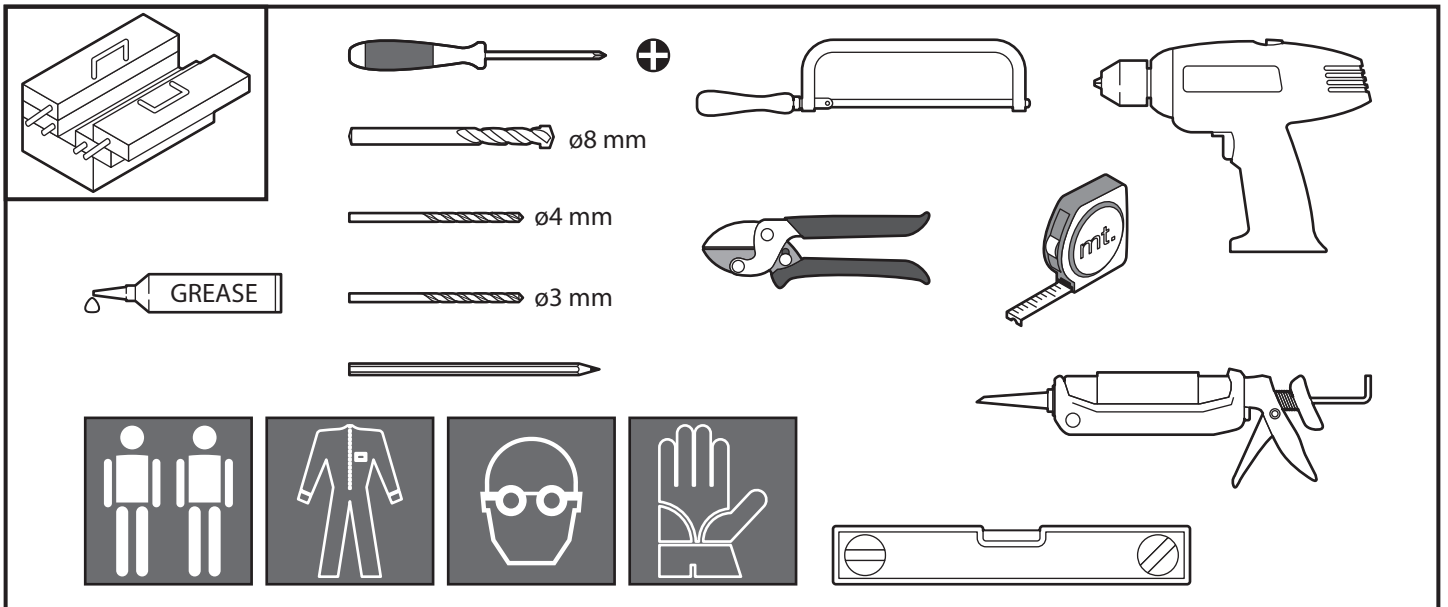
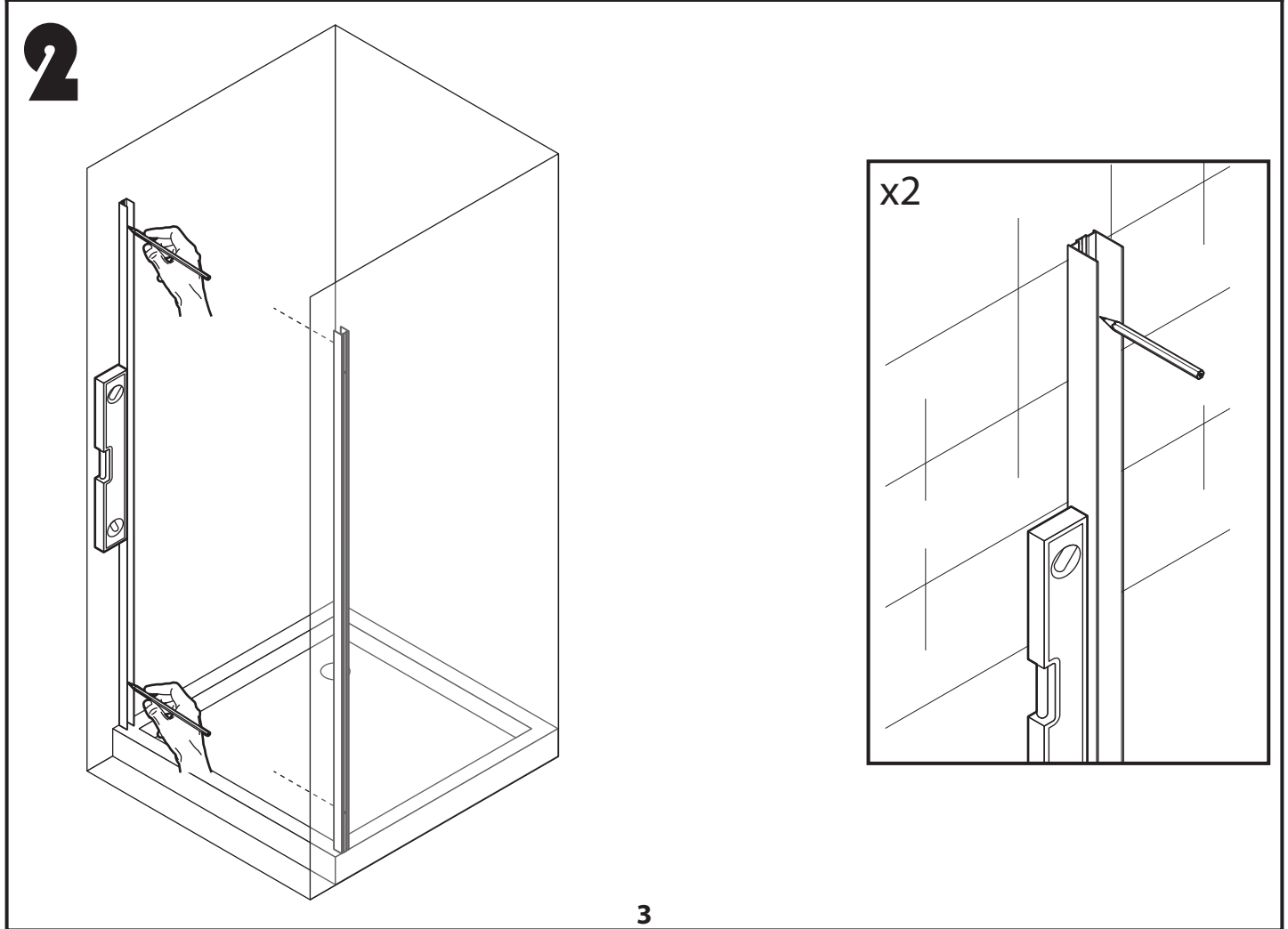
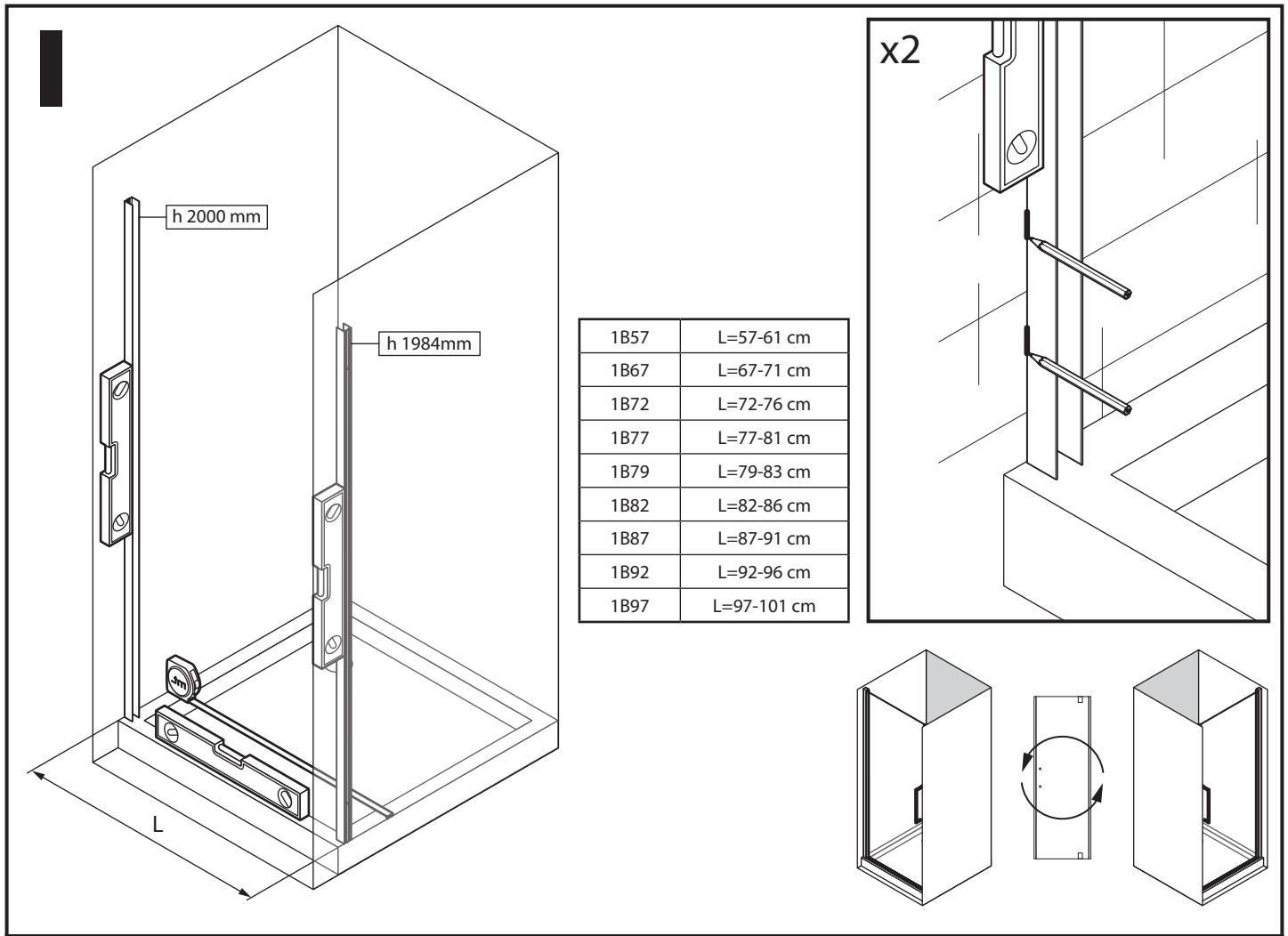


1B



<hr/> <hr/> <hr/> <hr/>	<hr/> <hr/> <hr/> <hr/>
-------------------------	-------------------------



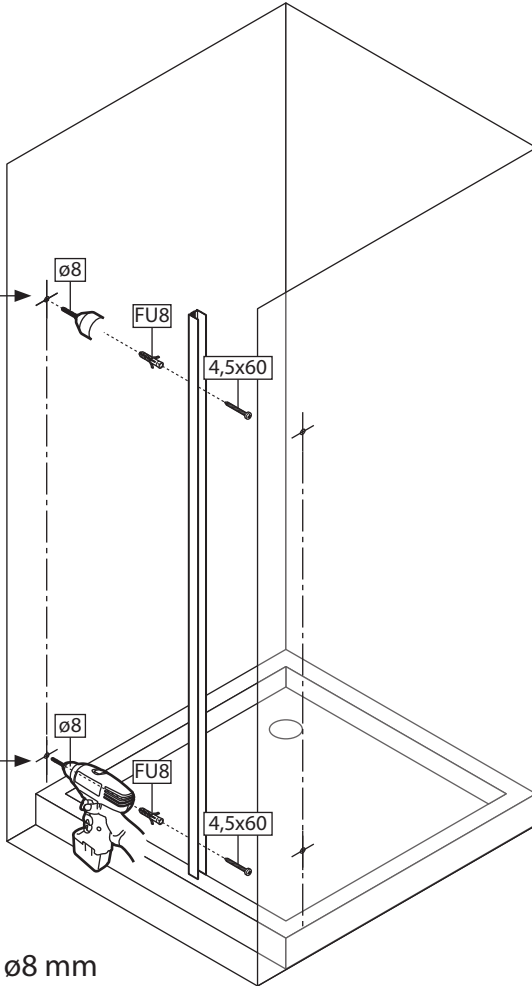


3

2°

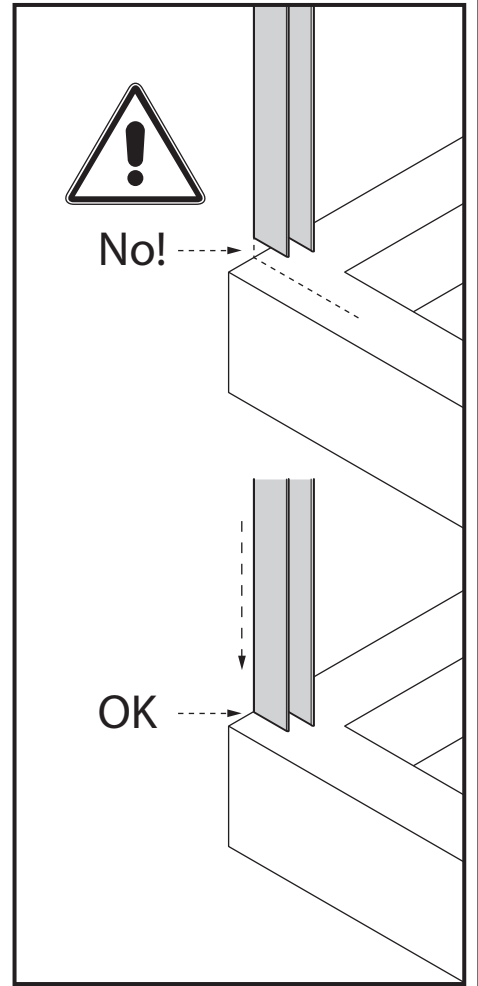
1°

 $\varnothing 8$ mm



No!

OK

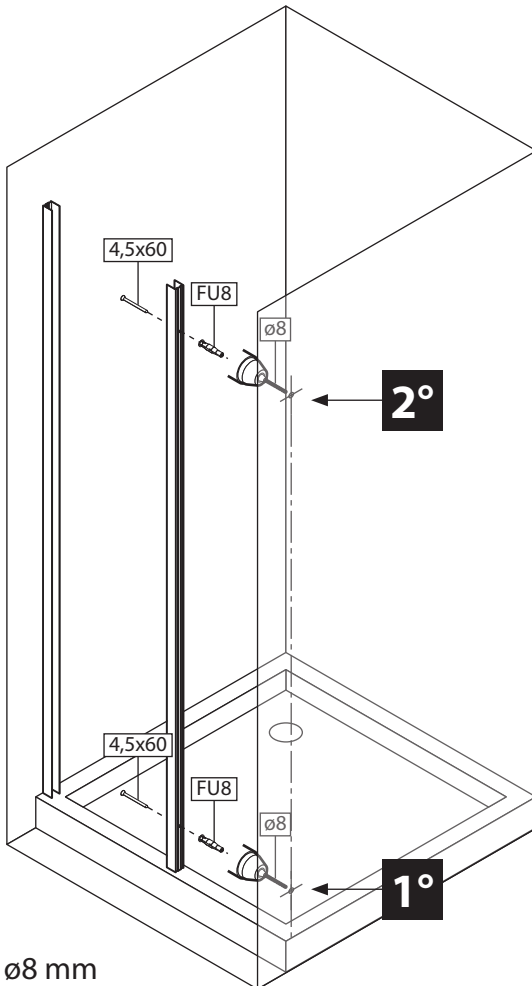


4

2°

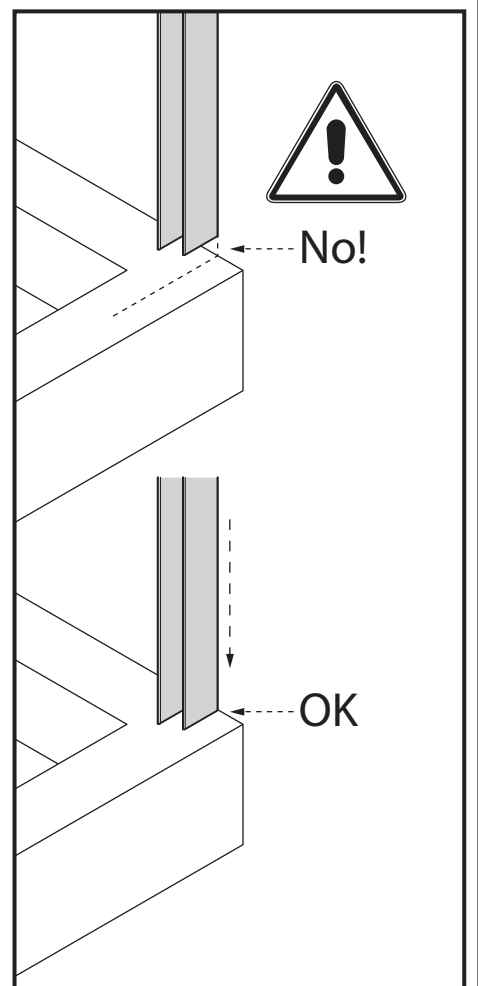
1°

 $\varnothing 8$ mm

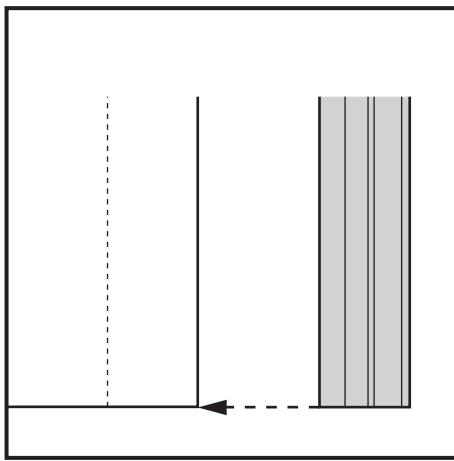
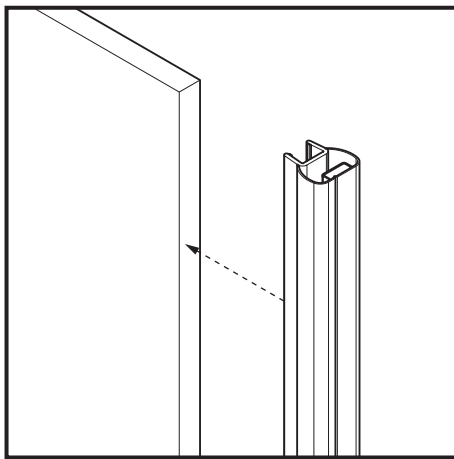
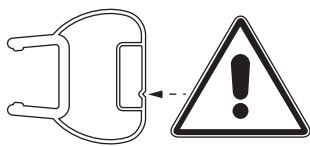
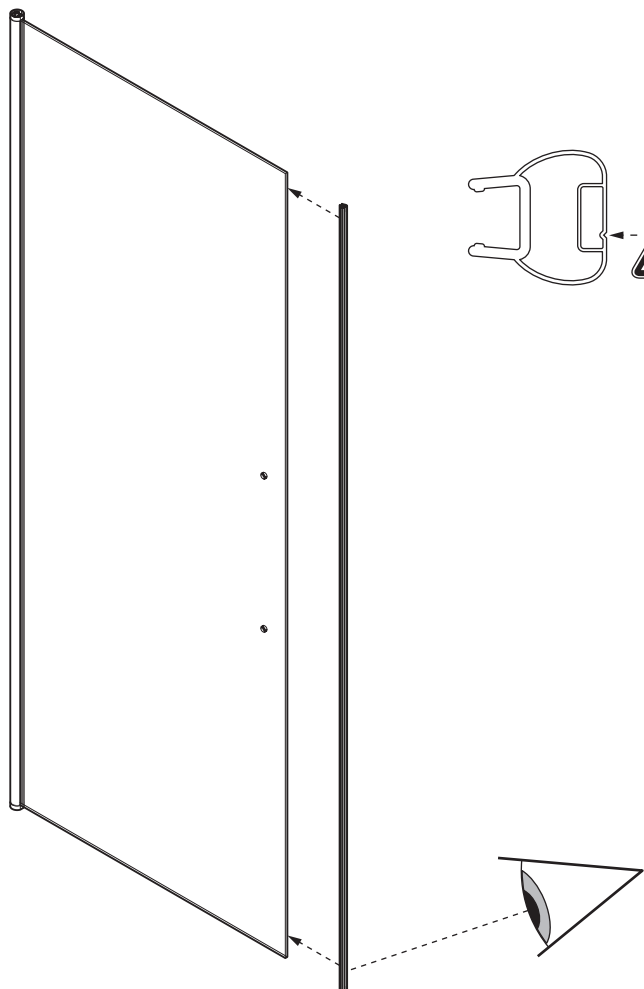


No!

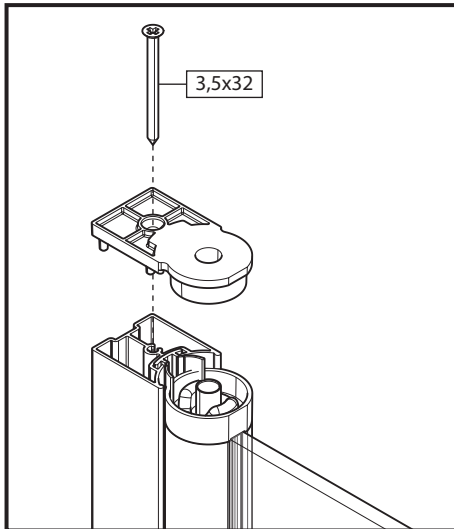
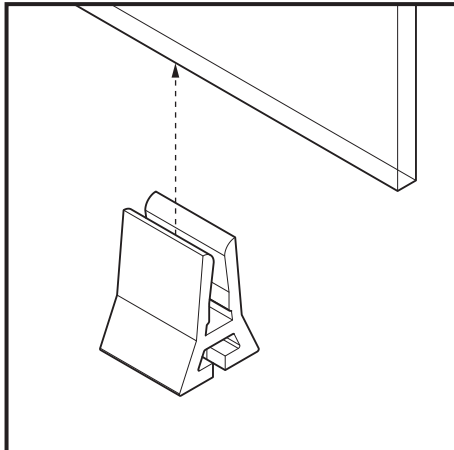
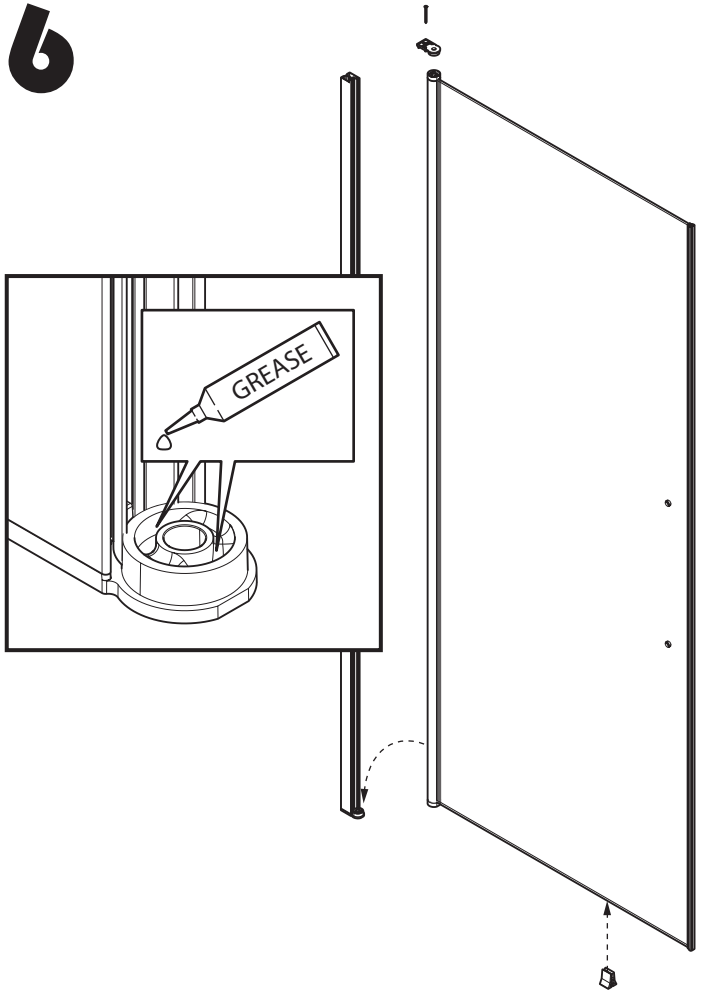
OK



5

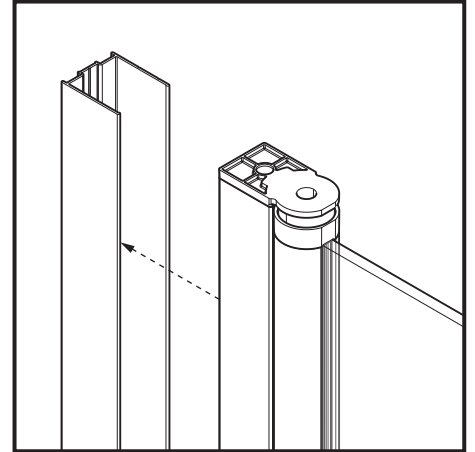
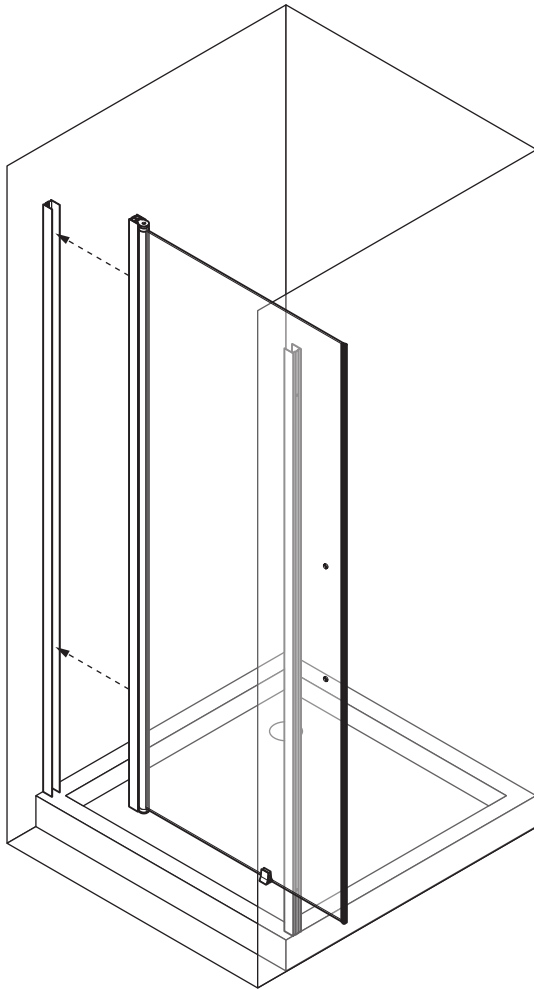


6

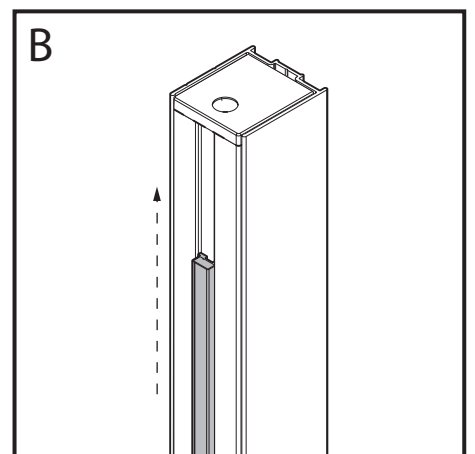
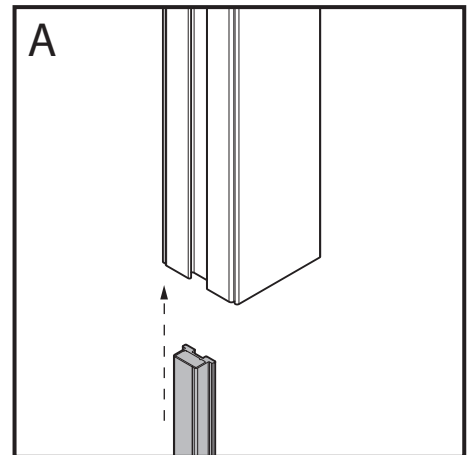
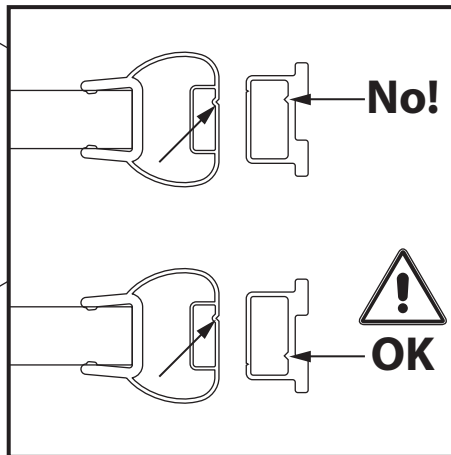
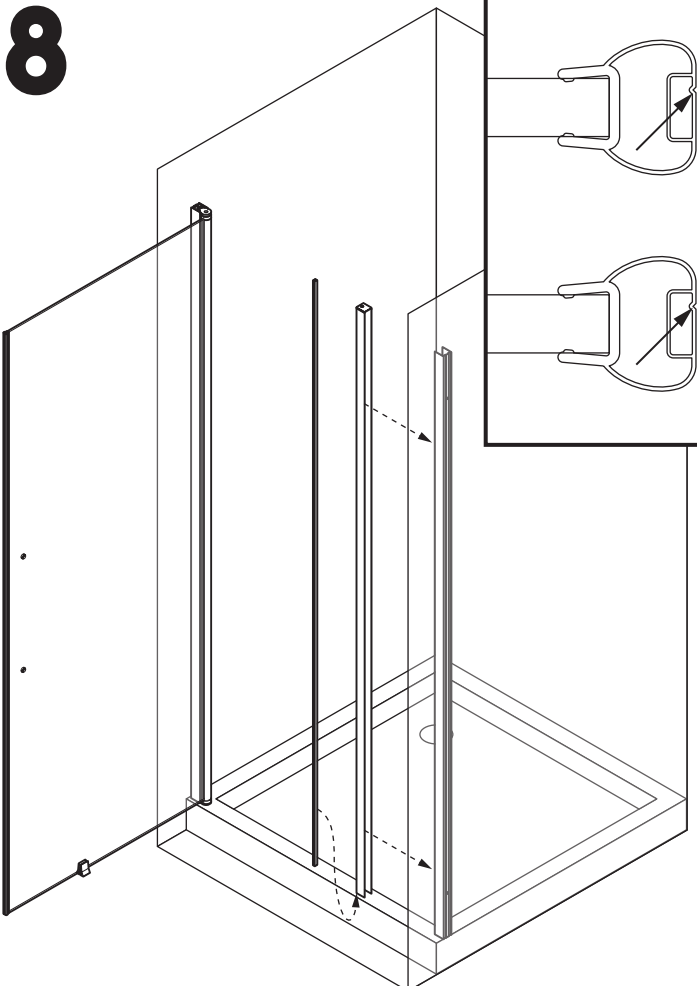


5

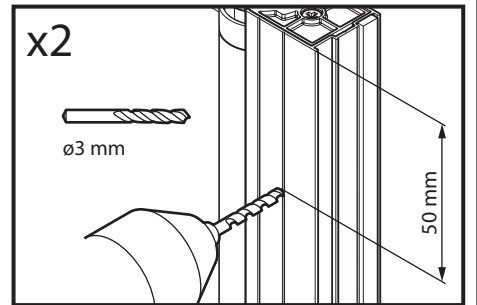
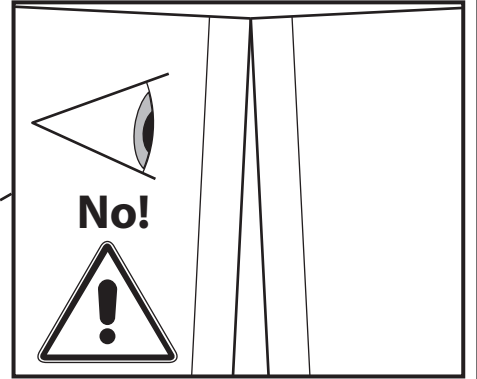
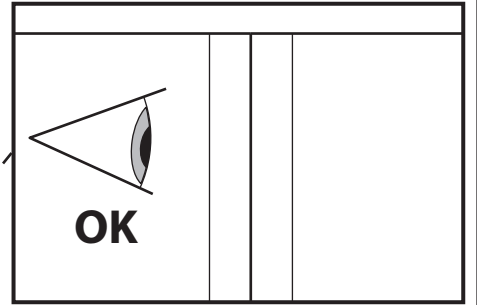
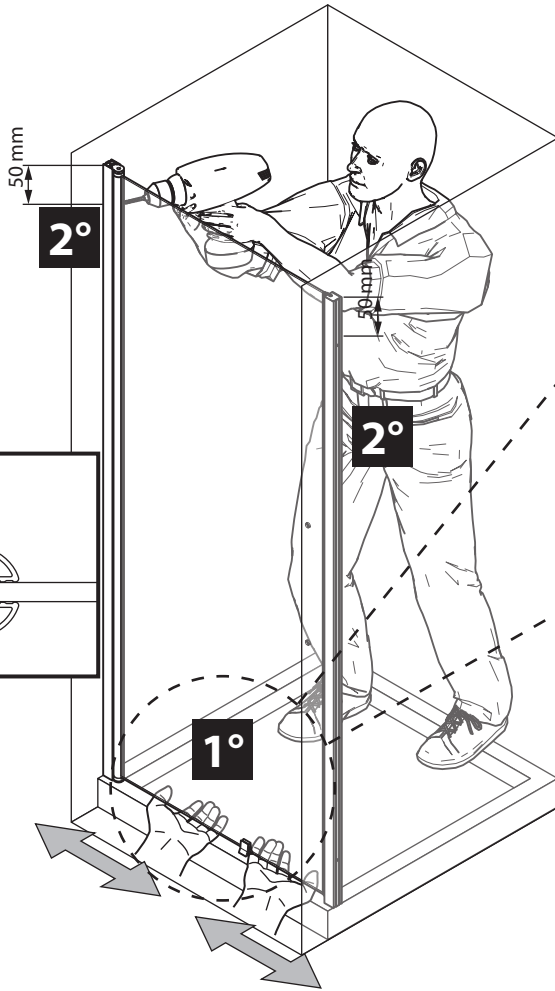
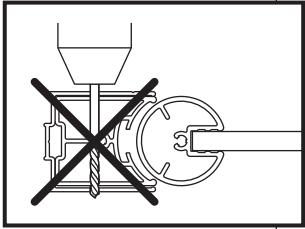
7



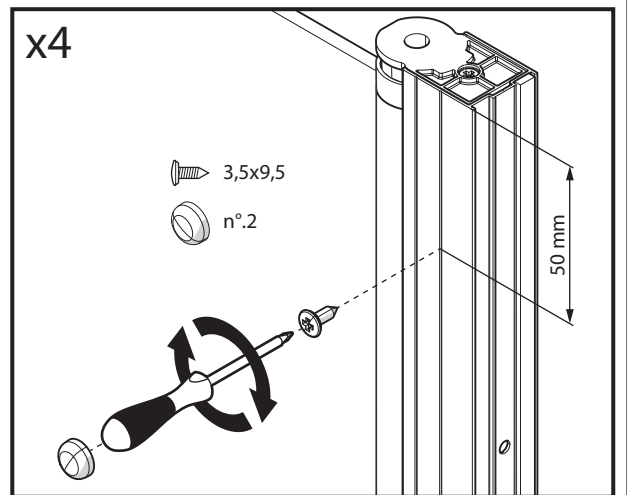
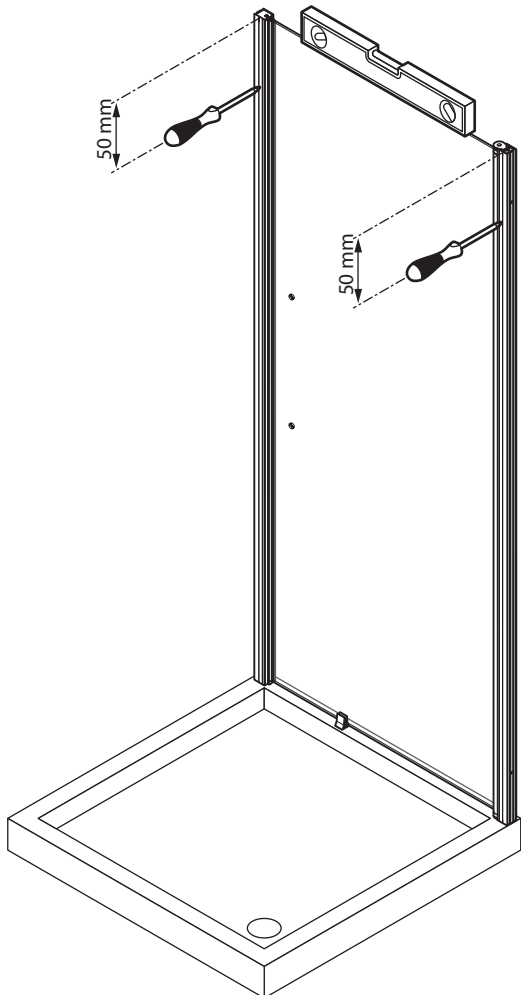
8



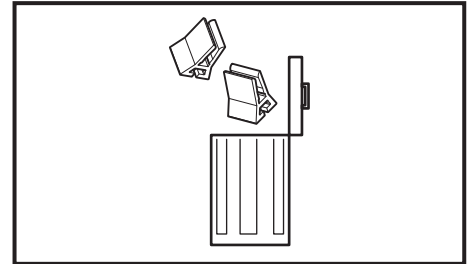
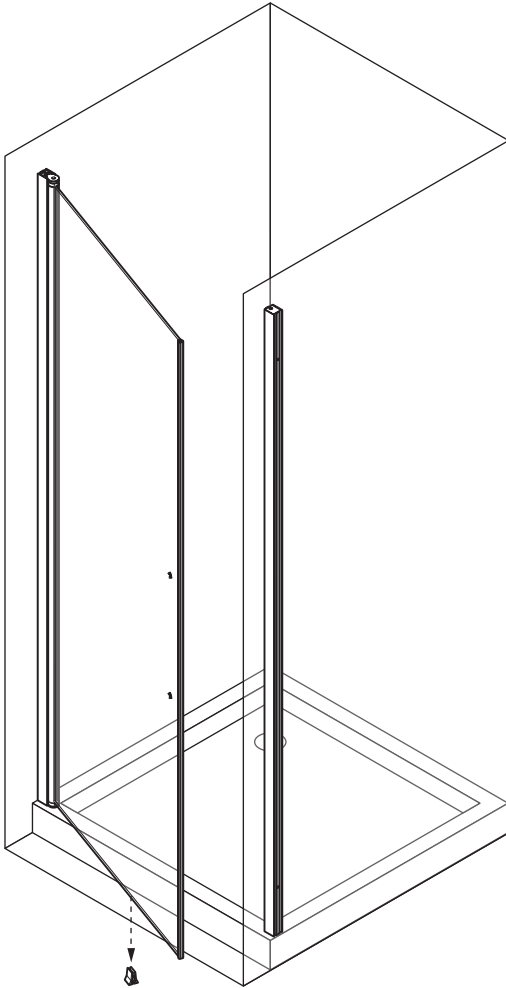
9



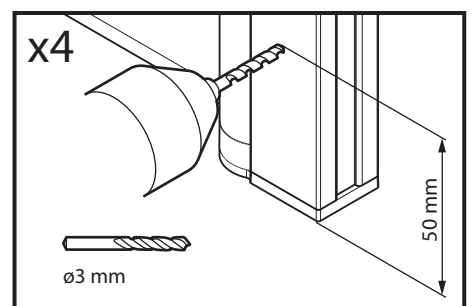
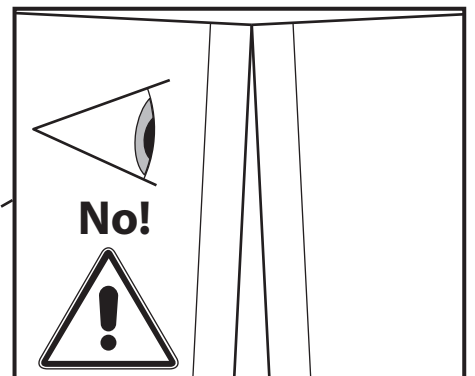
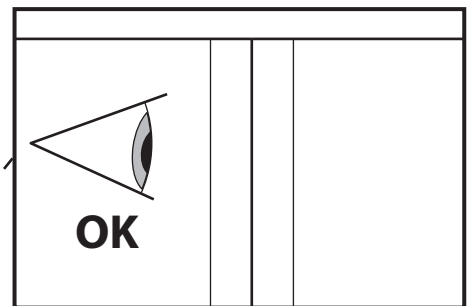
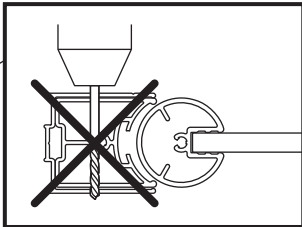
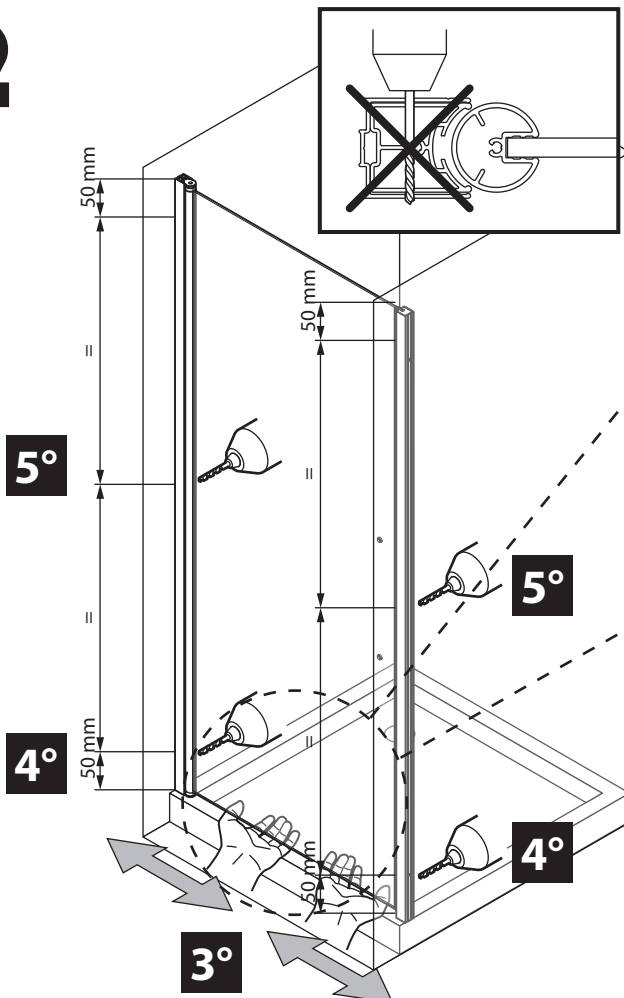
10



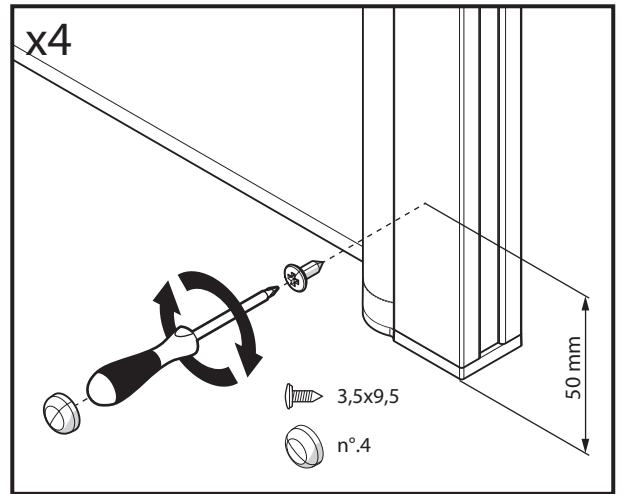
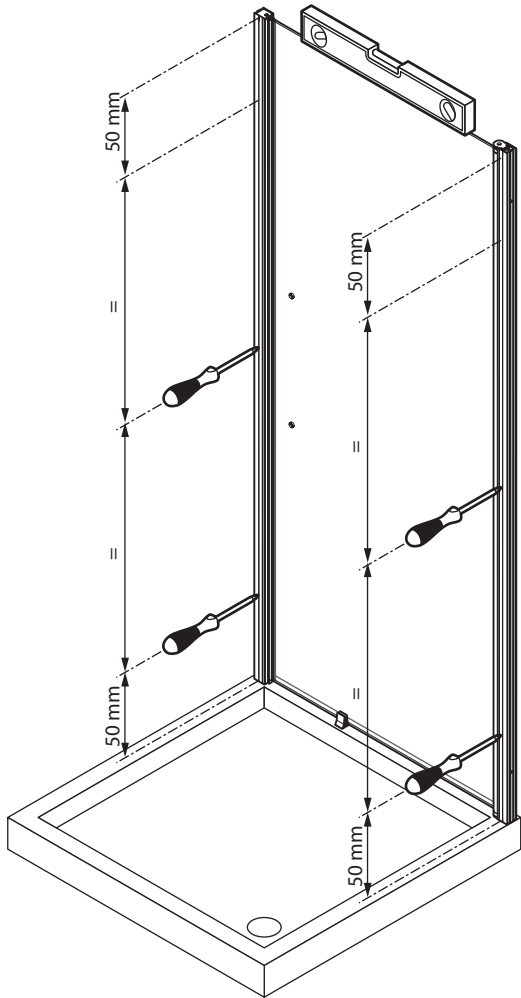
11



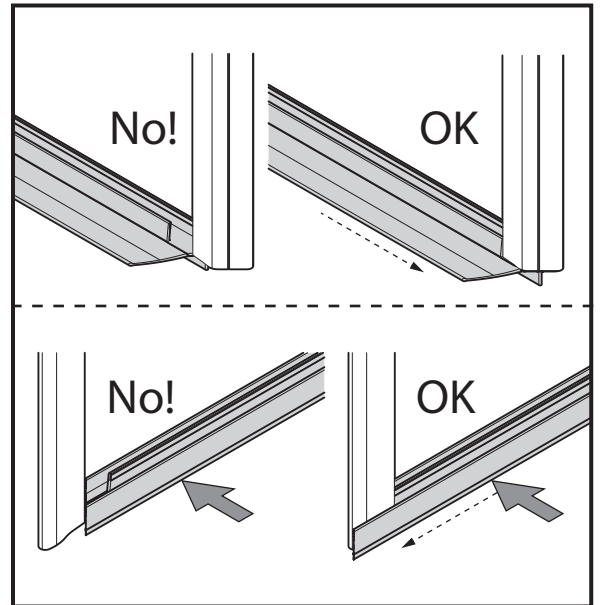
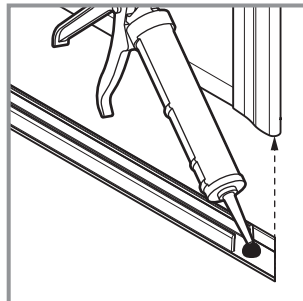
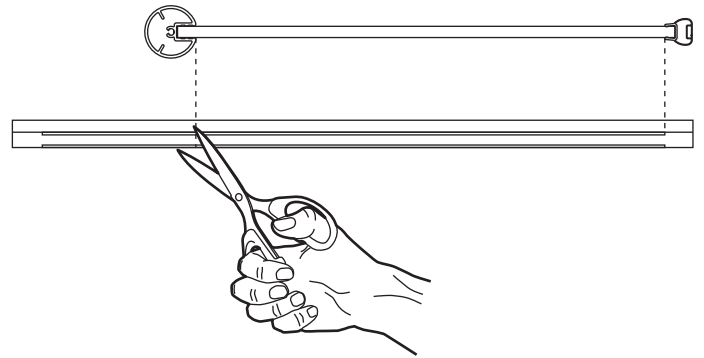
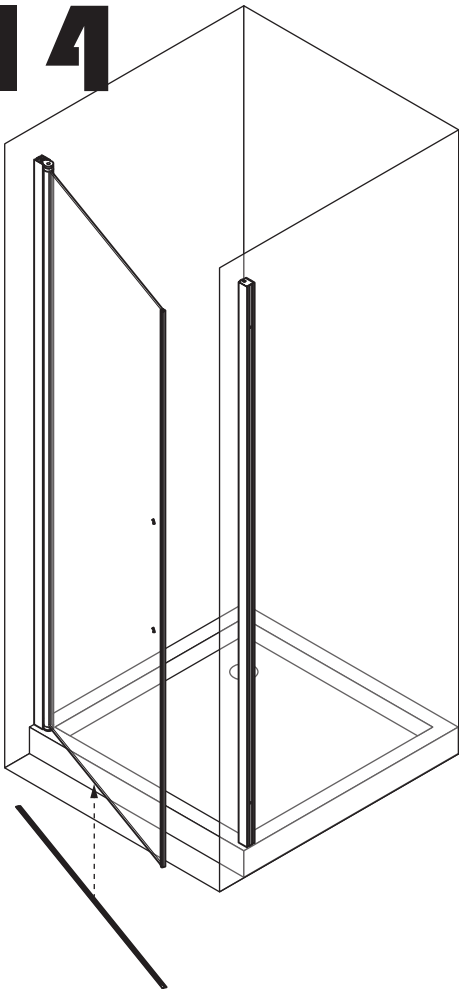
12



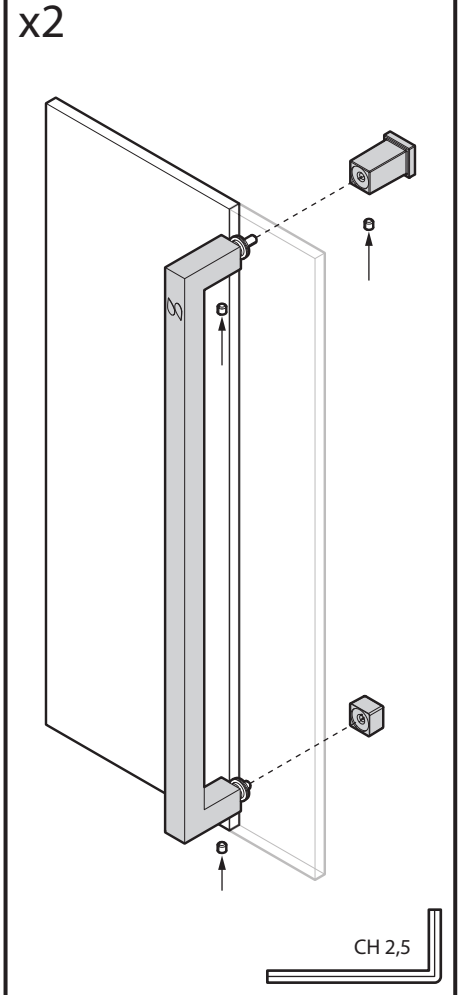
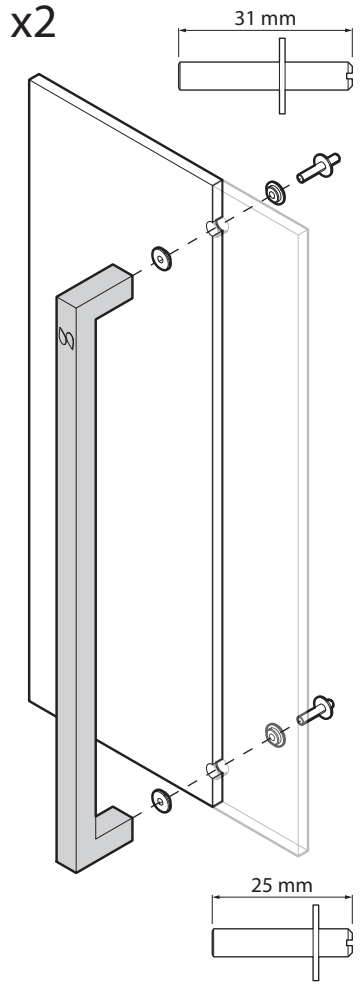
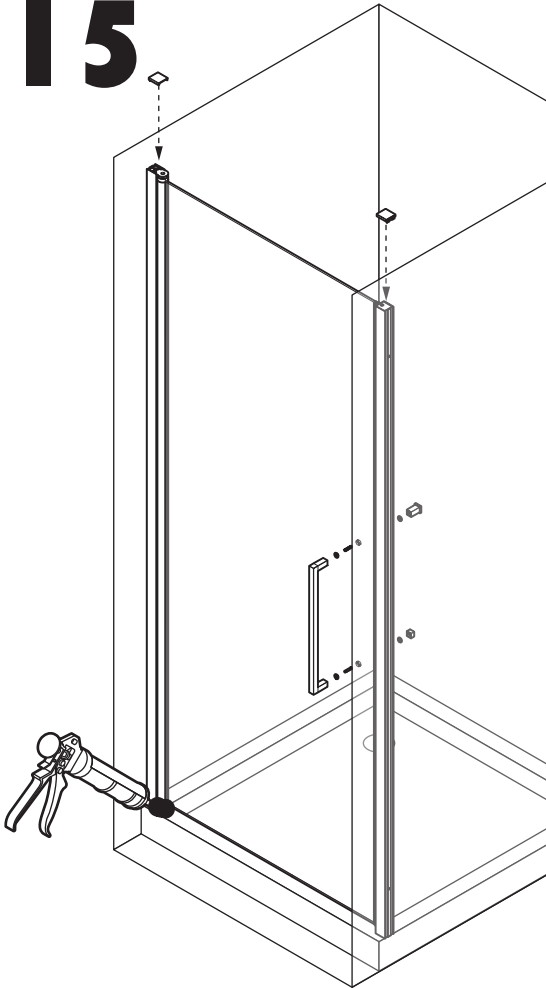
13



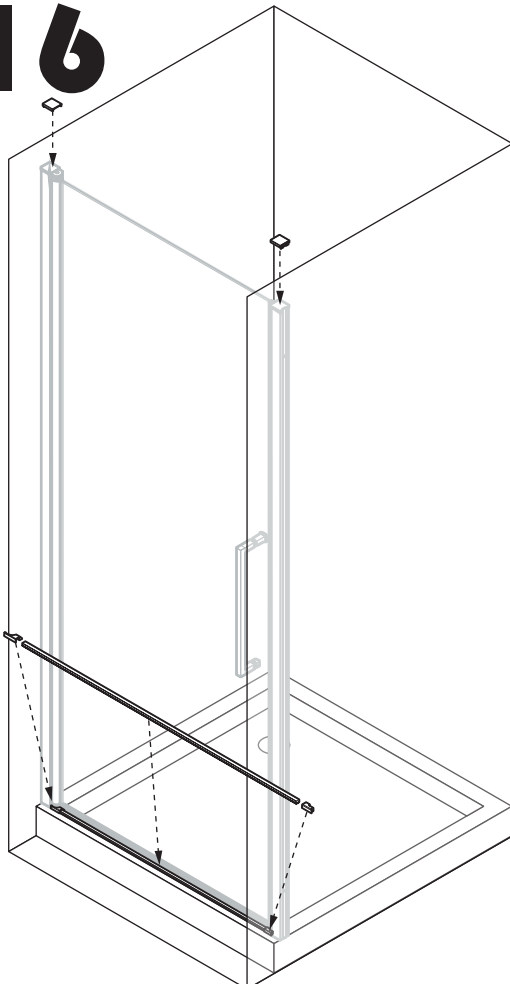
14



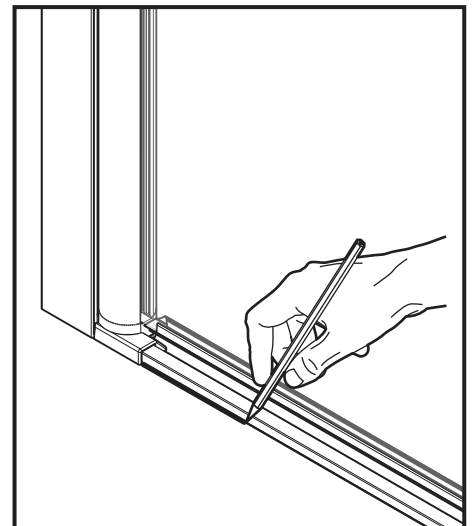
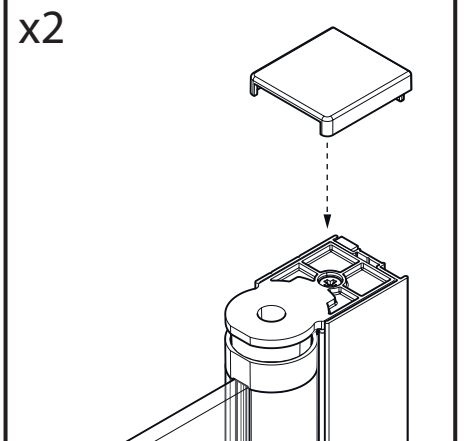
15



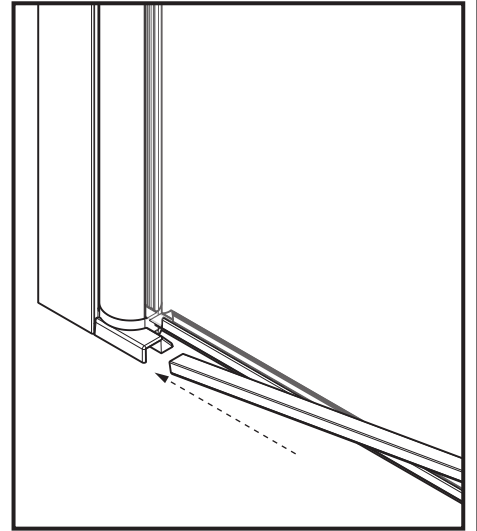
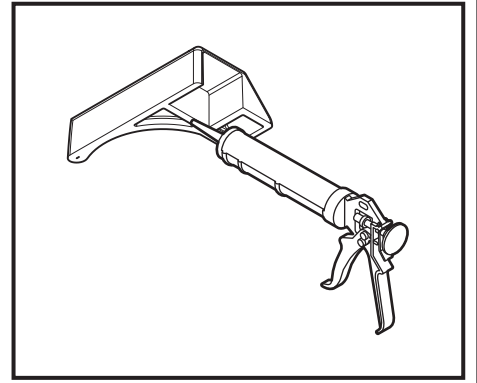
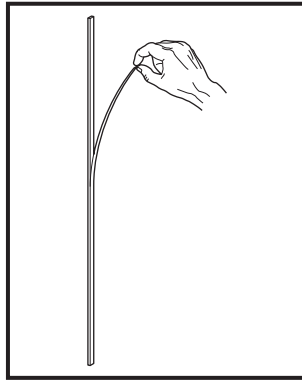
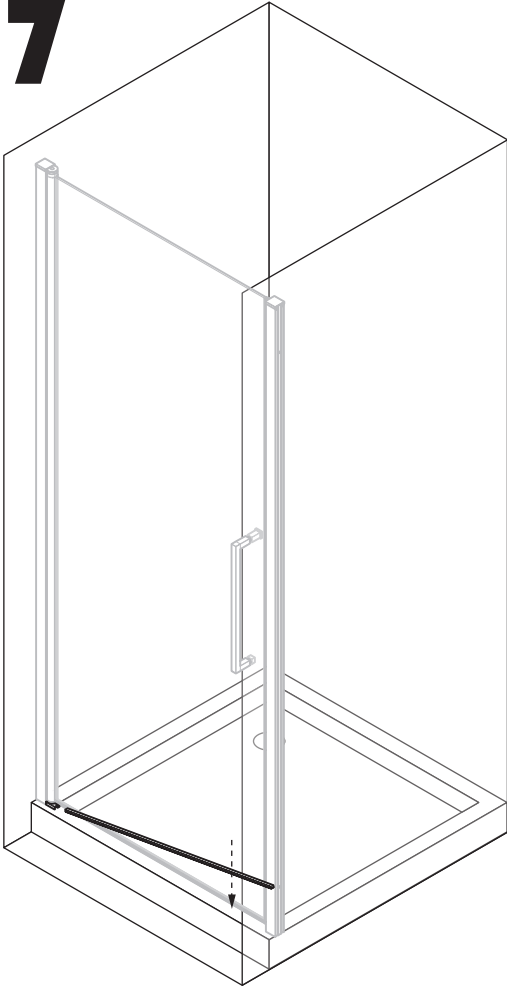
16



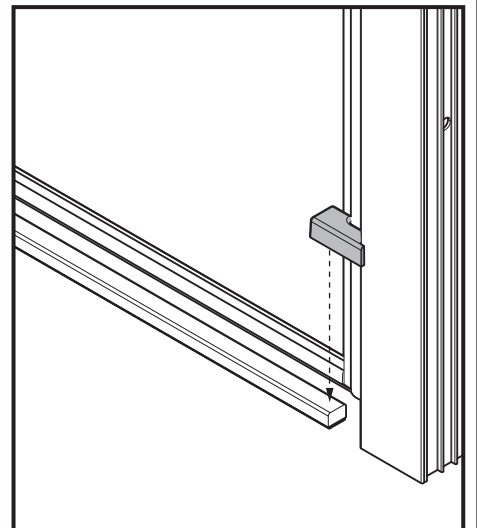
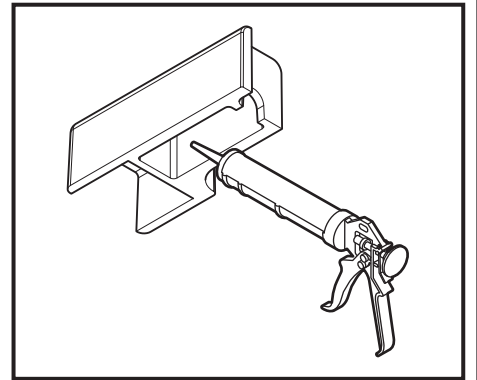
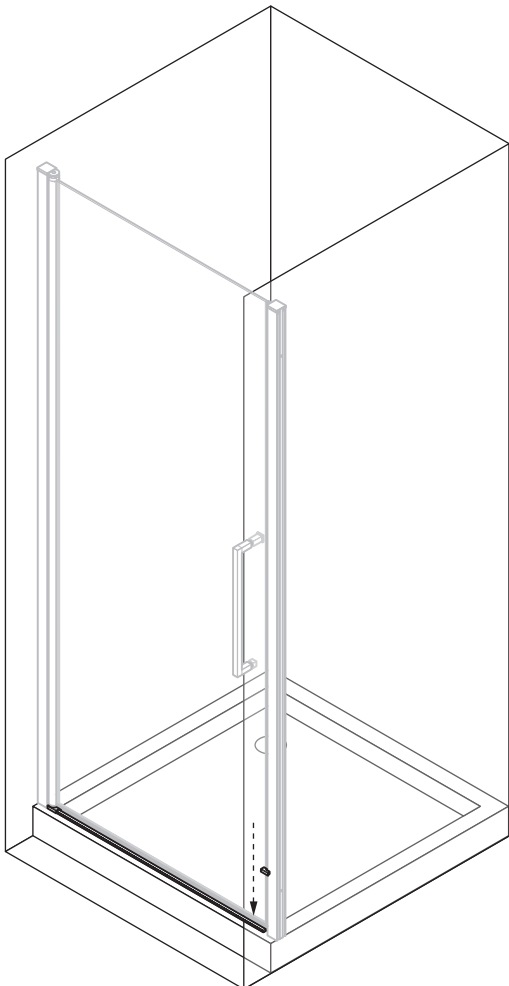
mod. 1B	mm
1B57	458
1B67	558
1B72	608
1B77	658
1B79	678
1B82	708
1B87	758
1B92	808
1B97	858



17



18



19

